

Edition : 1.0  
Date: (05/25)

## Instruction Manual

# LATHE SAFETY CHUCK GUARD LG-7, LG-8, LG-10, LG-13

Order Code: (G610, G612, G614, G616)

## Important – Read before fitting this guard

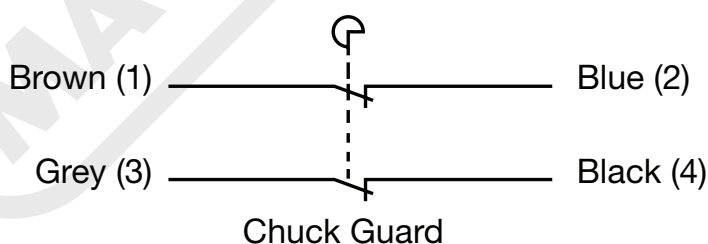
These instructions must be read before installing this guard and must be retained with the machine's safety documentation.

The interlock switch fitted to this chuck guard can be configured for either single-channel or dual-channel protection. If configured for single-channel protection, wires 3 and 4 must be terminated.

**Note:** Wiring this guard into the machine must not render any existing safety circuits ineffective. This includes braking circuits, emergency stop functions, trip wires, or any other protective systems.

### Wiring and Safety Requirements

- When the guard is fitted and before the machine is put into operation, you must ensure it is (\*) wired to a (\*\*) Extra-Low Voltage (ELV) control circuit that cuts power to the electrical system of the guarded spindle.
- The guard must be wired so that the guarded machine spindle cannot be started unless the guard is in the fully closed position.
- When the guard is opened, power to the guarded spindle must be cut off. This action must not interfere with any existing braking or safety systems, whether electrical or mechanical.
- The guarded spindle, or any other machine operations, must not start automatically when the guard is closed after being open.
- To restart the guarded spindle:
  1. Ensure the guard is fully closed.
  2. Start the spindle using the existing or an additional start system, if applicable.

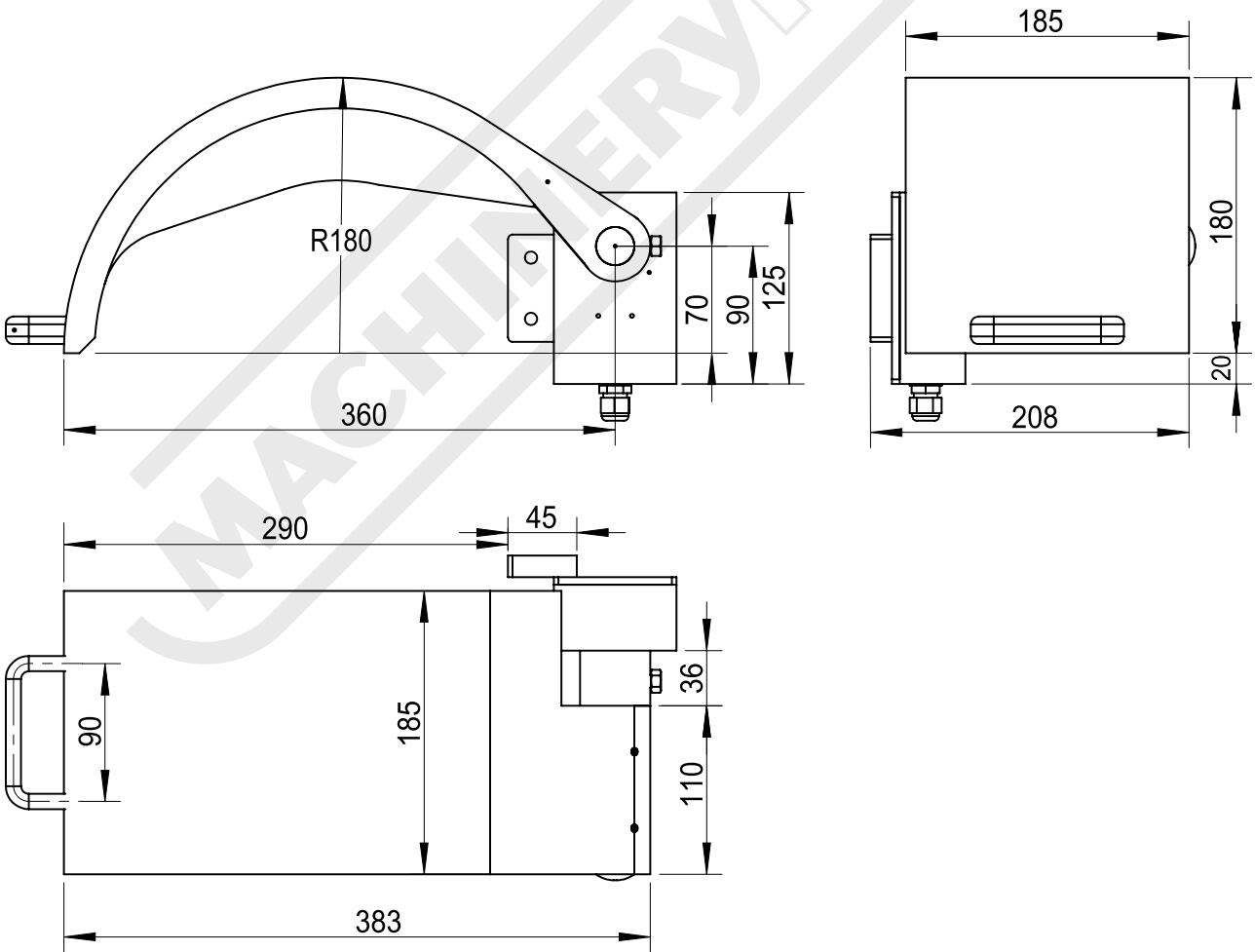
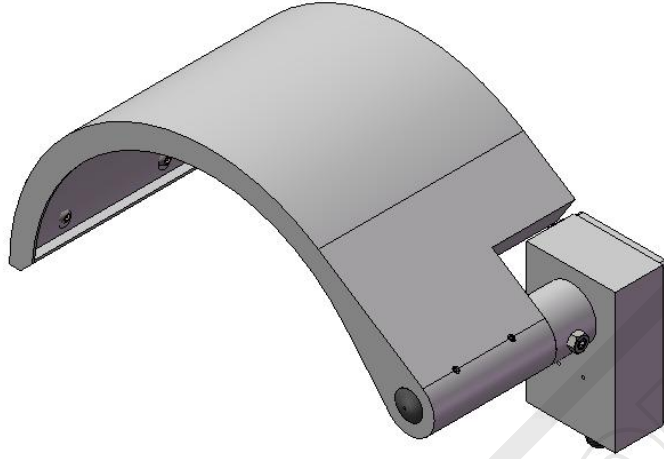


This switch is connected in series in the peripheral protection circuit.

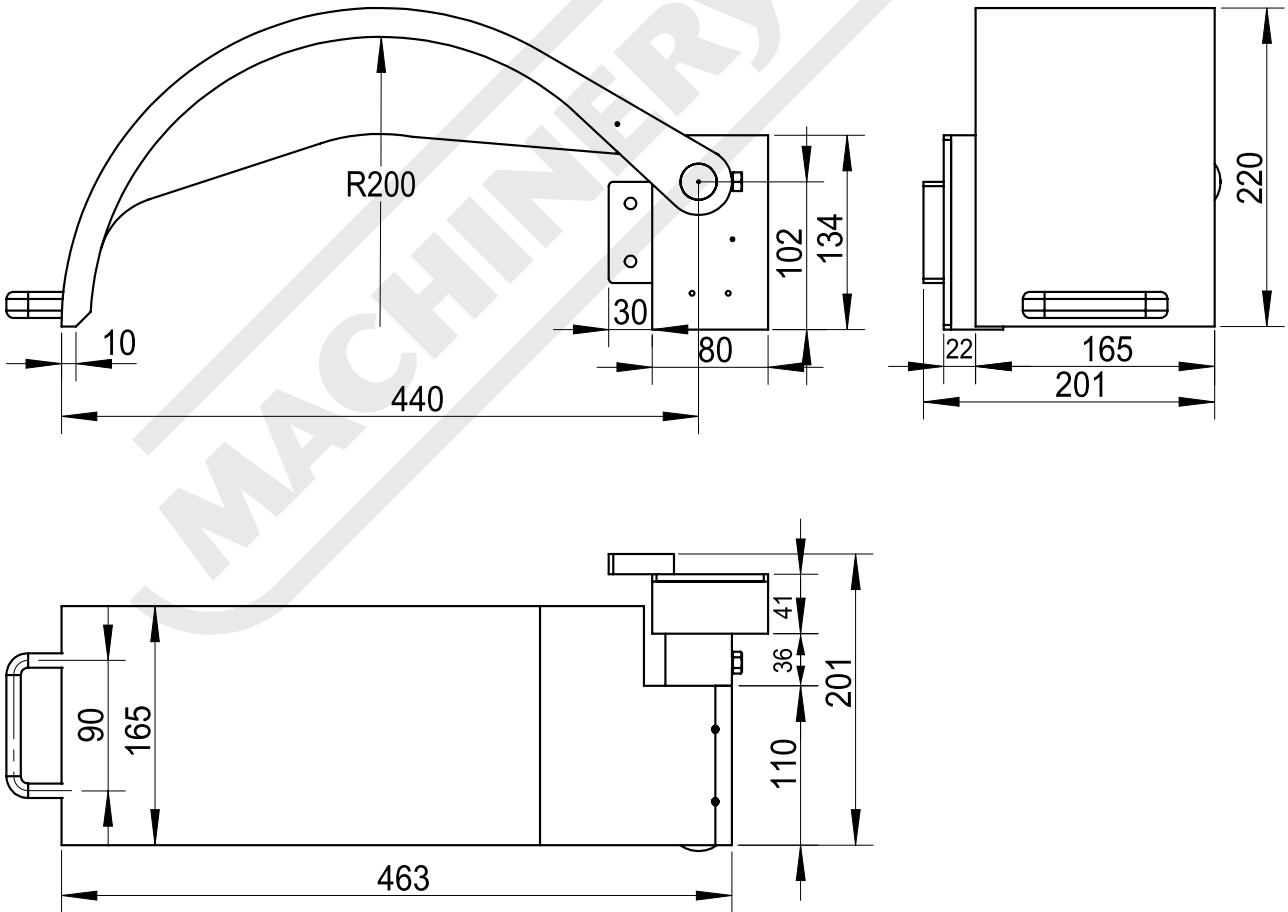
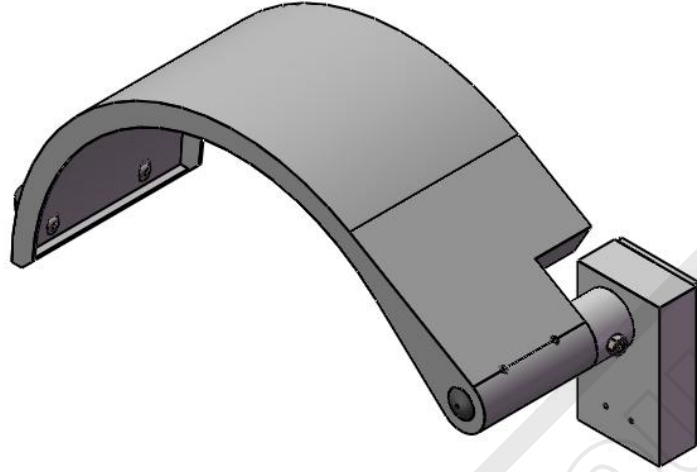
### Definitions

- \* **Electrical work must be carried out by a licensed electrician** in accordance with AS/NZS 4024.1204:2019 and its amendments, or any future replacement standards.
- \*\* **Extra-Low Voltage (ELV):** Not exceeding 50VAC or 120V ripple-free DC.

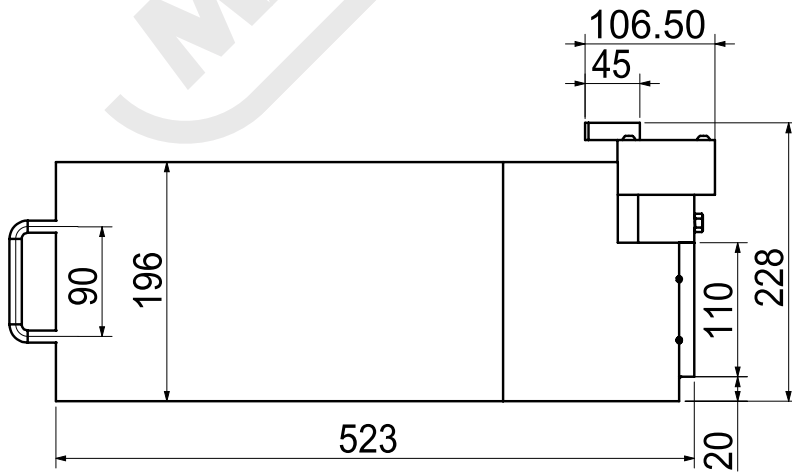
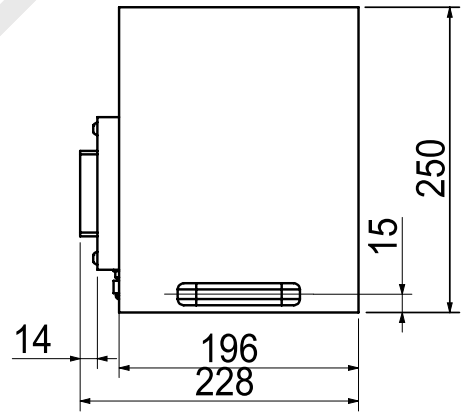
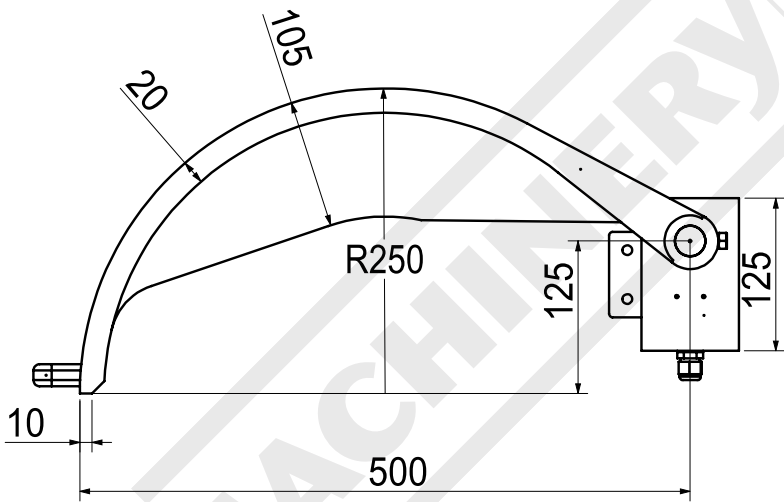
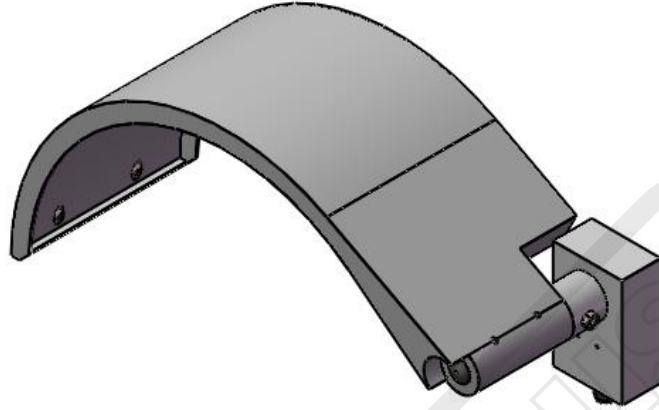
**LG-7 - DIAGRAM**



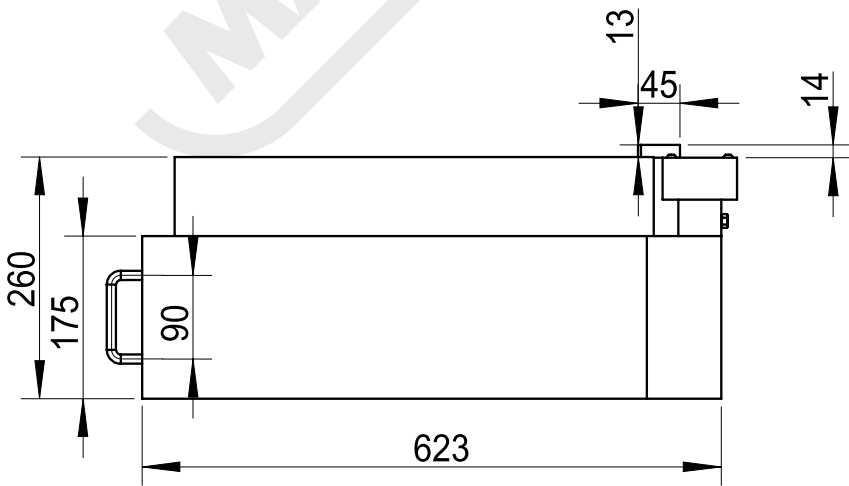
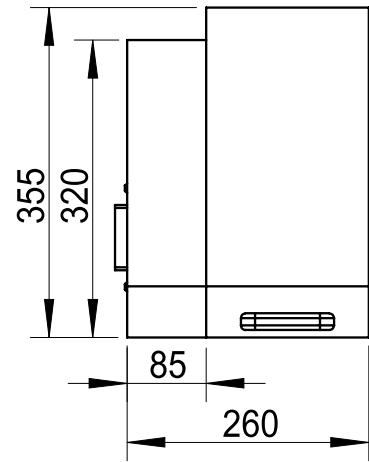
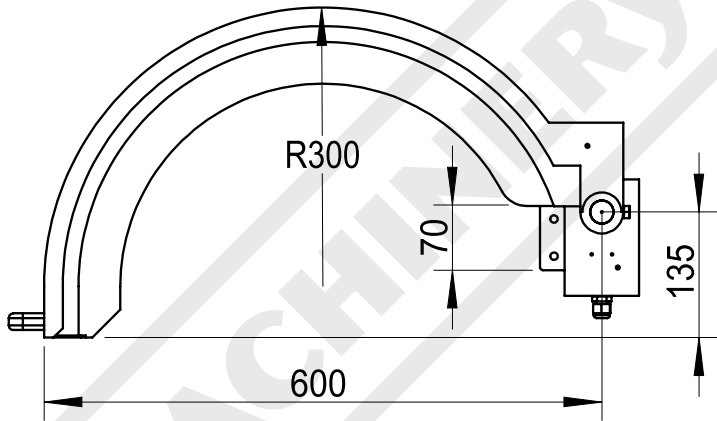
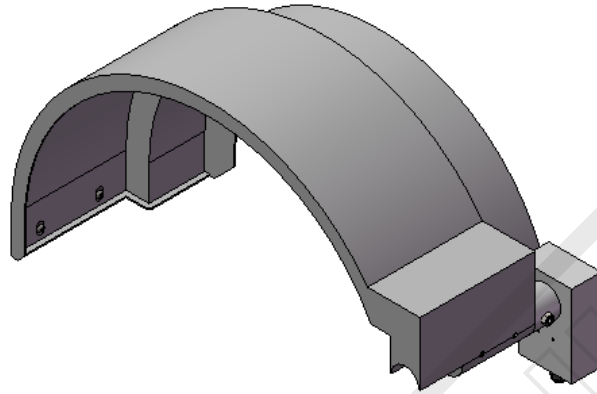
**LG-8 - DIAGRAM**



## LG-10 - DIAGRAM



**LG-13 - DIAGRAM**







#### ENVIRONMENT PROTECTION

Recycle unwanted materials instead of disposing of them as waste. All tools, accessories and packaging should be sorted, taken to a recycling centre and disposed of in a manner which is compatible with the environment. When the product becomes completely unserviceable and requires disposal, drain any fluids (if applicable) into approved containers and dispose of the product and fluids according to local regulations.

Imported by

**HARE & FORBES**  
**MACHINERYHOUSE**

Australian Distributor

Hare & Forbes  
Machineryhouse  
Sydney - Melbourne  
Adelaide - Brisbane - Perth

Ph: 1300 202 200  
[www.machineryhouse.com.au](http://www.machineryhouse.com.au)

**MACHINERYHOUSE**

New Zealand Distributor

Machineryhouse  
Auckland  
Christchurch

Ph: 0800 142 326  
[www.machineryhouse.co.nz](http://www.machineryhouse.co.nz)